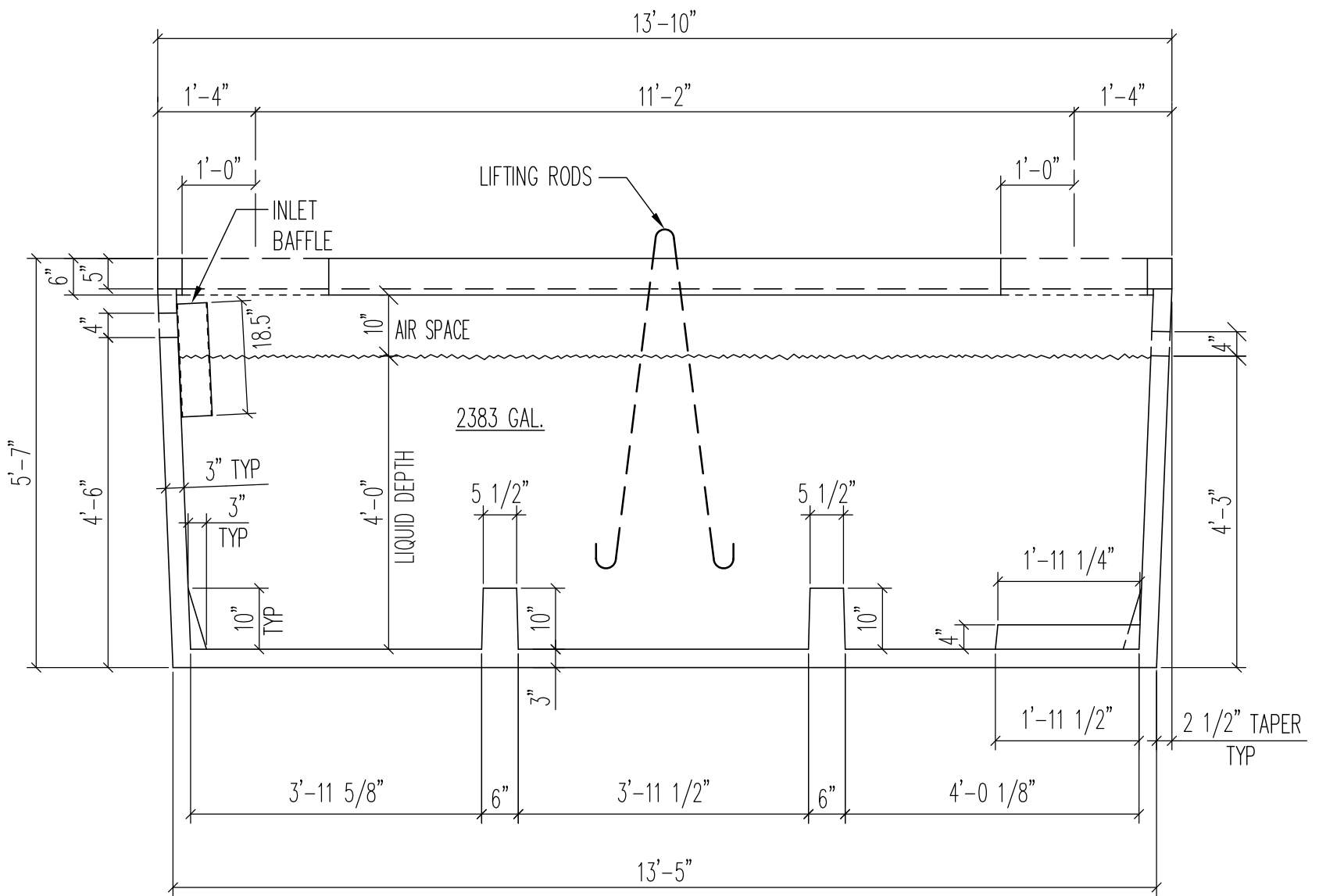


2250 GALLON 1 COMP. TANK
 1/2" = 1'-0"



SECTION A-A
 1/2" = 1'-0"

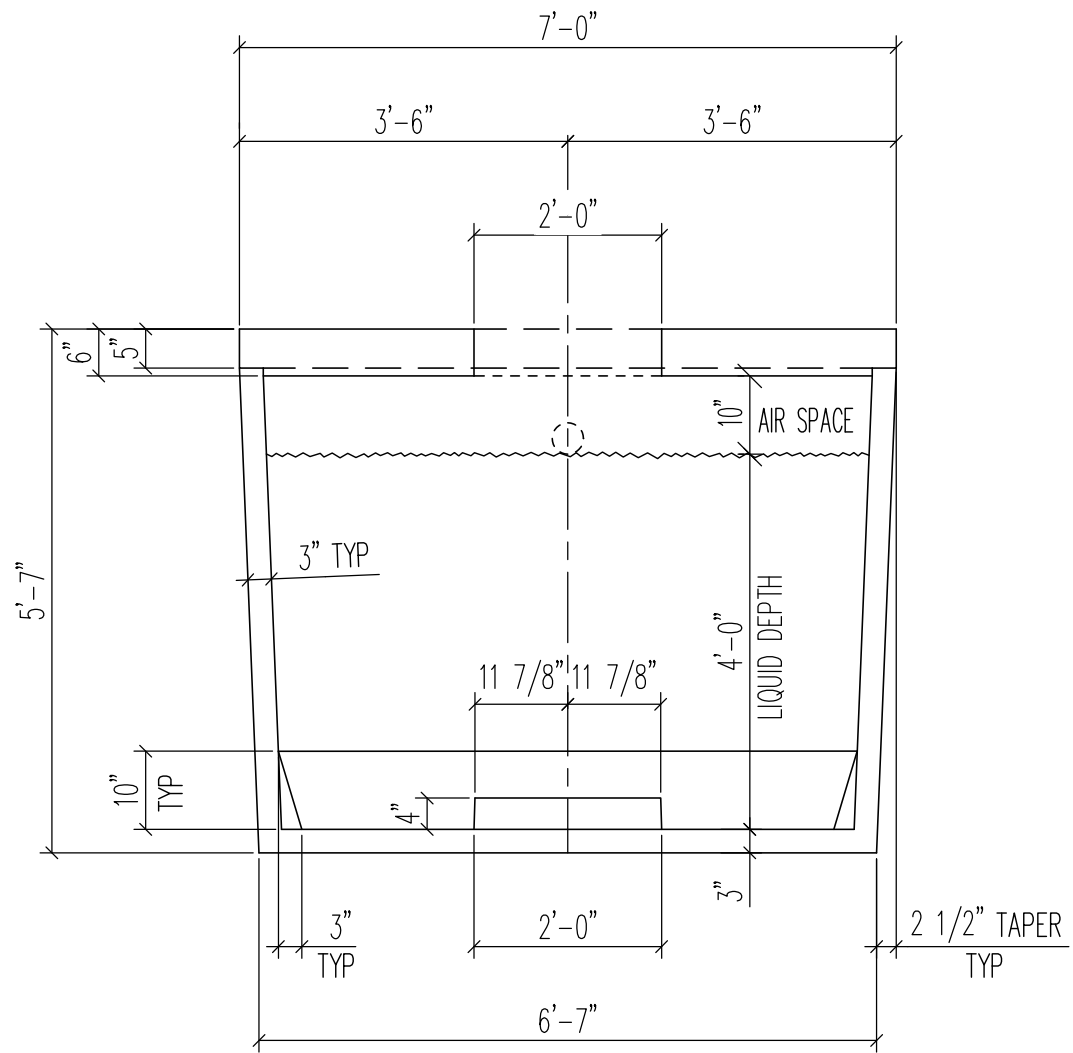
NOTE:

1. PROVIDE MINIMUM 1" CLEAR BETWEEN TOP OF BAFFLE AND UNDERSIDE OF LID.

2250 GALLON 1 COMP.
 PUMP TANK
 (2250 PT)

Brown Wilbert

WEIGHT= 19,000#
 MAX. SOIL COVER= 8'-0"
 TOTAL LIQUID VOLUME= 2383 GAL.



B
B
SECTION
 1/2" = 1'-0"

NOTE:

1. PROVIDE MINIMUM 1" CLEAR BETWEEN TOP OF BAFFLE AND UNDERSIDE OF LID.

2250 GALLON 1 COMP.
PUMP TANK
(2250 PT)

Brown *Wilbert*

WEIGHT= 19,000#
MAX. SOIL COVER= 8'-0"
TOTAL LIQUID VOLUME= 2383 GAL.