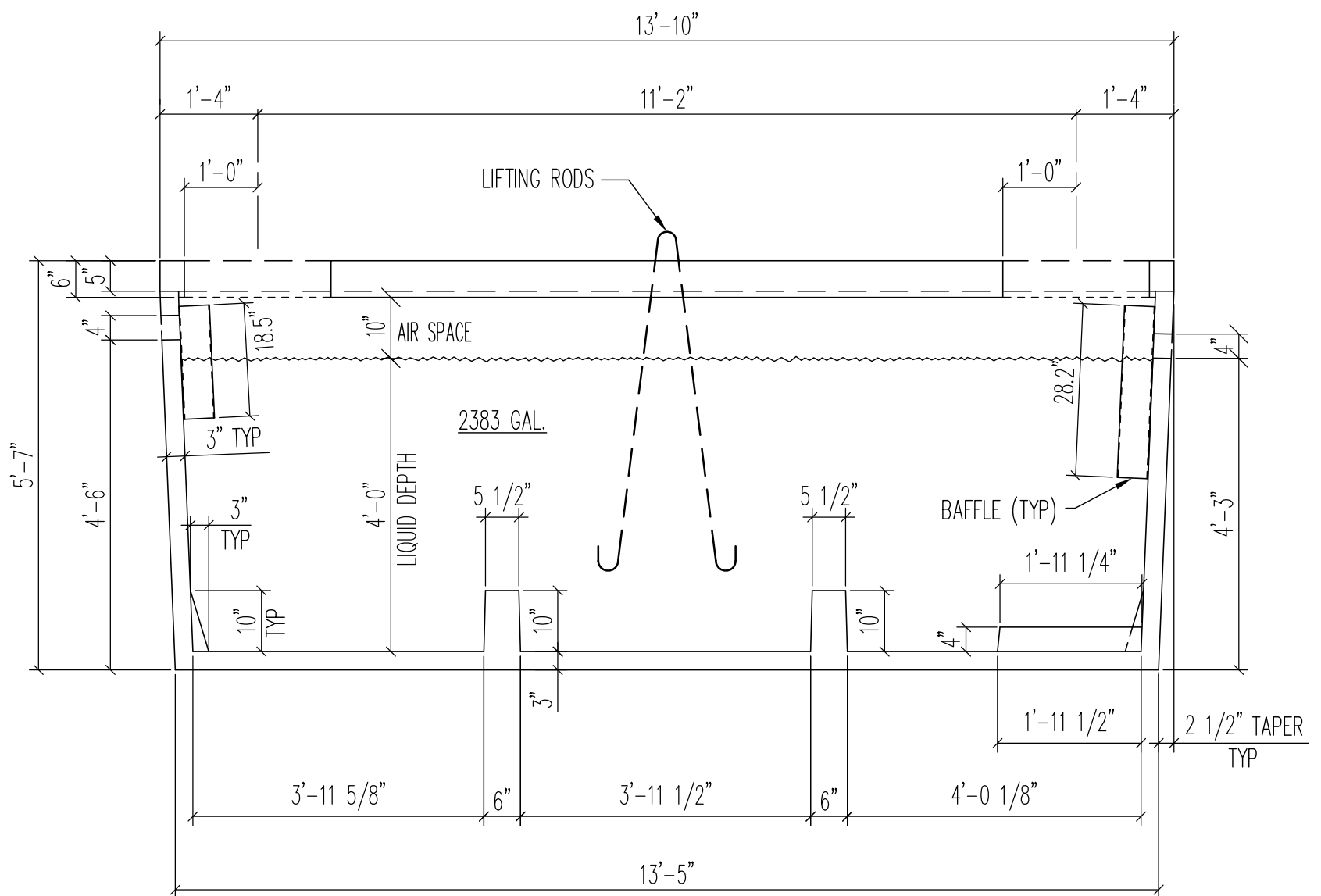


**2250 GALLON 1 COMP. TANK**  
 1/2" = 1'-0"



**SECTION A-A**  
 1/2" = 1'-0"

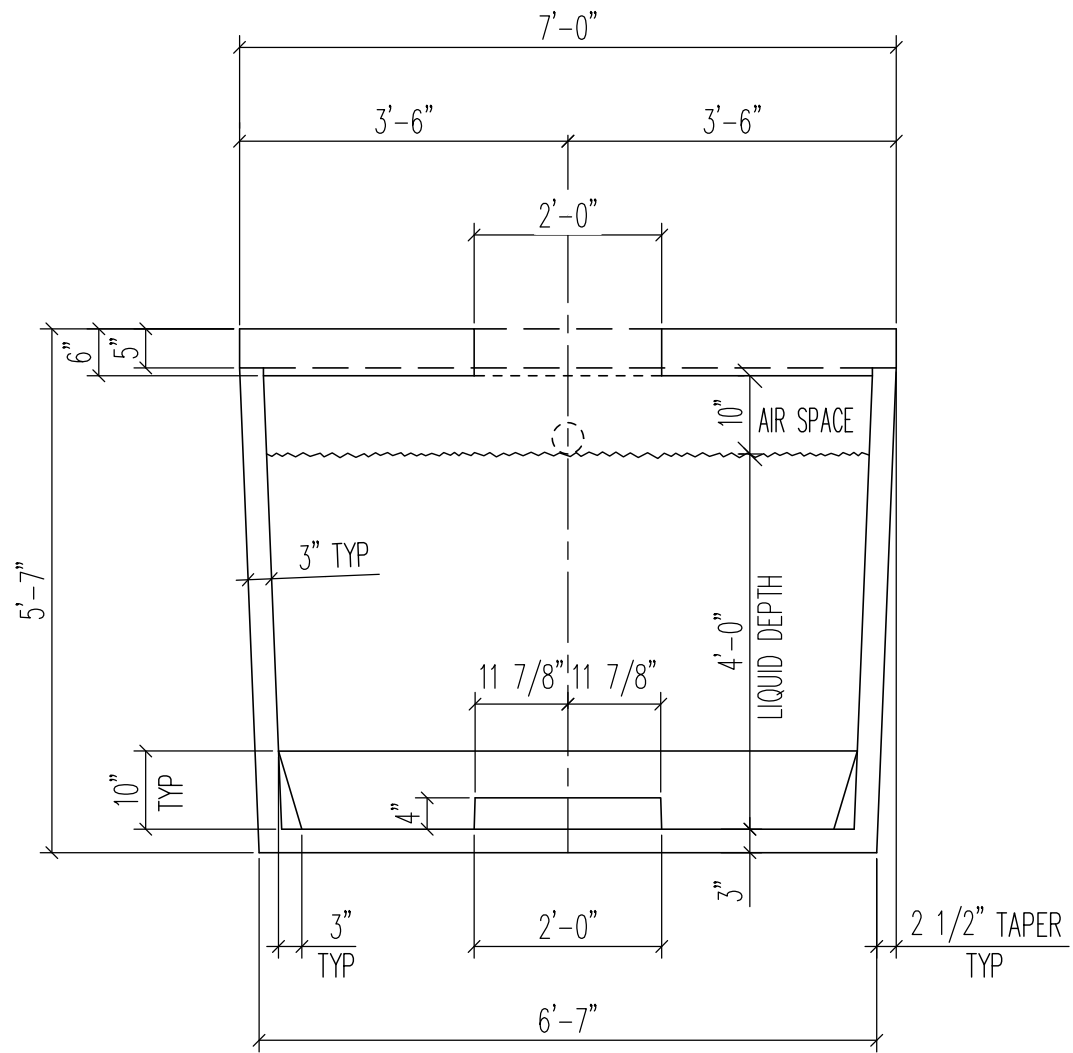
NOTE:

1. PROVIDE MINIMUM 1" CLEAR BETWEEN TOP OF BAFFLE AND UNDERSIDE OF LID.

2250 GALLON 1 COMP.  
 HOLDING TANK  
 (2250 HT)

**Brown Wilbert**

WEIGHT= 19,000#  
 MAX. SOIL COVER= 8'-0"  
 TOTAL LIQUID VOLUME= 2383 GAL.



B  
B
SECTION  
1/2" = 1'-0"

NOTE:

1. PROVIDE MINIMUM 1" CLEAR BETWEEN TOP OF BAFFLE AND UNDERSIDE OF LID.

2250 GALLON 1 COMP.  
HOLDING TANK  
(2250 HT)

Brown *Wilbert*

WEIGHT= 19,000#  
MAX. SOIL COVER= 8'-0"  
TOTAL LIQUID VOLUME= 2383 GAL.