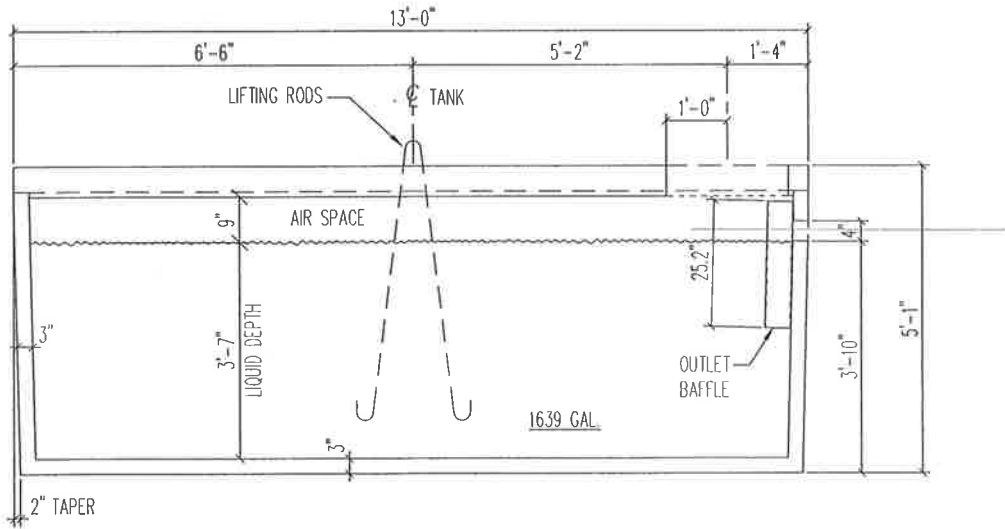


**1600 GALLON TANK**  
 $1/2'' = 1'-0''$



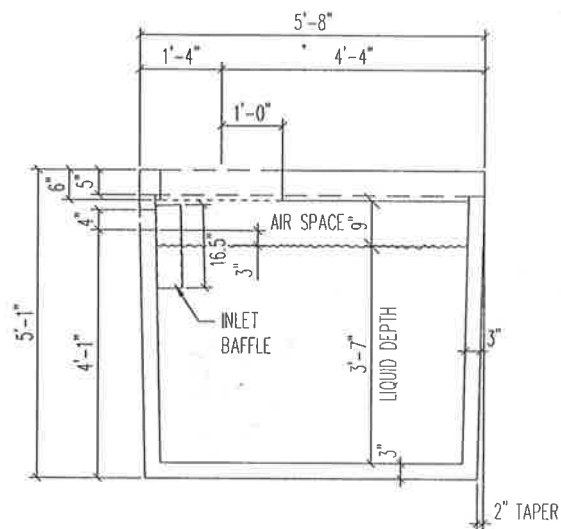
**SECTION A-A**  
 $1/2'' = 1'-0''$

- NOTE:**
1. PROVIDE MINIMUM 1" CLEAR BETWEEN TOP OF BAFFLE AND UNDERSIDE OF LID.
  2. PUMP TANK (PT) HAS NO OUTLET BAFFLE.

1600 GALLON SEPTIC OR PUMP TANK  
 (1600 ST-L OR 1600 PT-L)



WEIGHT=14,000#  
 MAX. SOIL COVER= 7'-0"



**SECTION**

B  
B

$1/2" = 1'-0"$

**NOTE:**

1. PROVIDE MINIMUM 1" CLEAR BETWEEN TOP OF BAFFLE AND UNDERSIDE OF LID.
2. PUMP TANK (PT) HAS NO OUTLET BAFFLE.

1600 GALLON SEPTIC OR PUMP TANK  
(1600 ST-L OR 1600 PT-L)

**Brown Wilbert**

WEIGHT=14,000#  
MAX. SOIL COVER= 7'-0"