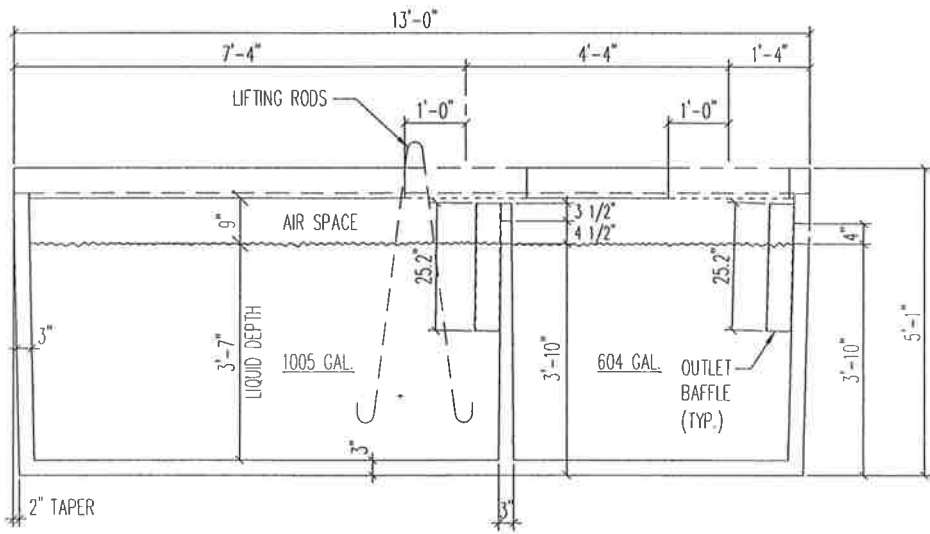


**1600 GALLON 2 COMP. TANK**

1/2" = 1'-0"



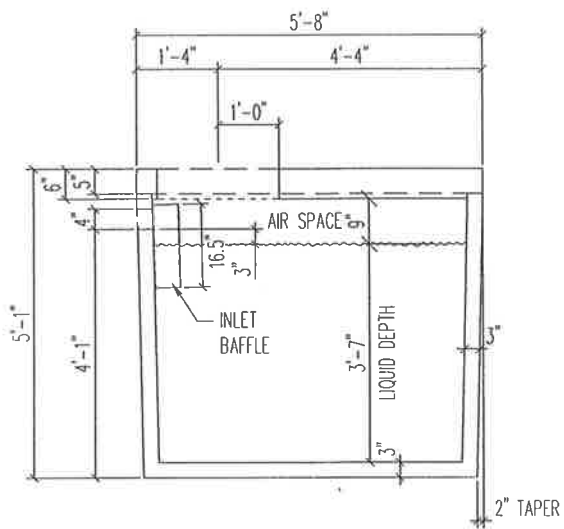
**SECTION A-A**  
1/2" = 1'-0"

**NOTE:**  
1. PROVIDE MINIMUM 1" CLEAR BETWEEN TOP OF BAFFLE AND UNDERSIDE OF LID.

1600 GALLON 2 COMP.  
SEPTIC TANK  
(1600 2C-L)



WEIGHT=14,500#  
MAX. SOIL COVER= 7'-0"  
TOTAL LIQUID VOLUME= 1609 GAL.



**SECTION**  
 1/2" = 1'-0"

**NOTE:**

1. PROVIDE MINIMUM 1" CLEAR BETWEEN TOP OF BAFFLE AND UNDERSIDE OF LID.

1600 GALLON 2 COMP.  
 SEPTIC TANK  
 (1600 2C-L)

**Brown** Wilbert

WEIGHT=14,500#  
 MAX. SOIL COVER= 7'-0"  
 TOTAL LIQUID VOLUME= 1609 GAL.