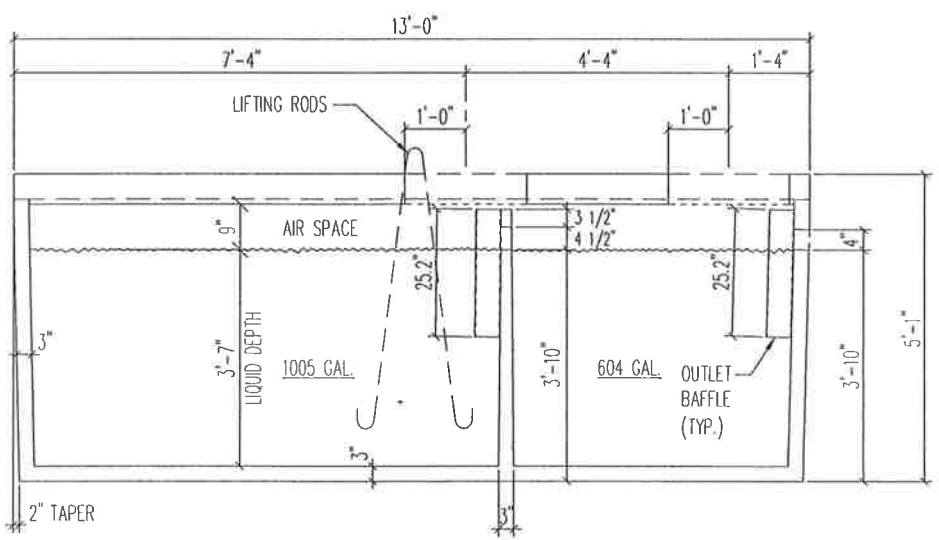


1600 GALLON 2 COMP. TANK
 1/2" = 1'-0"



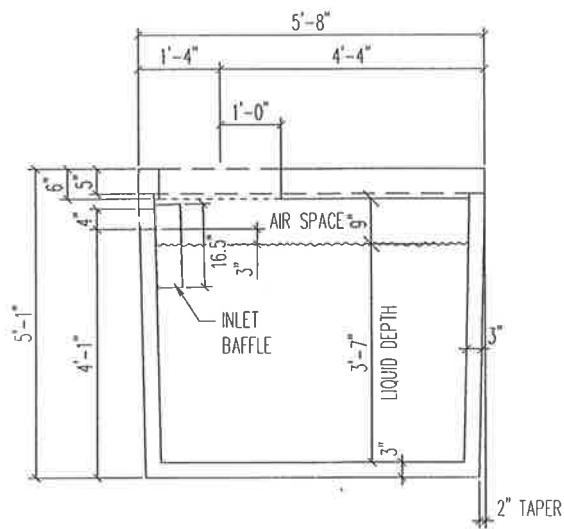
SECTION A-A
 1/2" = 1'-0"

NOTE:
 1. PROVIDE MINIMUM 1" CLEAR BETWEEN TOP OF BAFFLE AND UNDERSIDE OF LID.

1600 GALLON 2 COMP.
 SEPTIC TANK
 (1600 2C-L)



WEIGHT=14,500#
 MAX. SOIL COVER= 7'-0"
 TOTAL LIQUID VOLUME= 1609 GAL.



SECTION
 1/2" = 1'-0"

NOTE:

1. PROVIDE MINIMUM 1" CLEAR BETWEEN TOP OF BAFFLE AND UNDERSIDE OF LID.

1600 GALLON 2 COMP.
 SEPTIC TANK
 (1600 2C-L)

Brown Wilbert

WEIGHT=14,500#
 MAX. SOIL COVER= 7'-0"
 TOTAL LIQUID VOLUME= 1609 GAL.