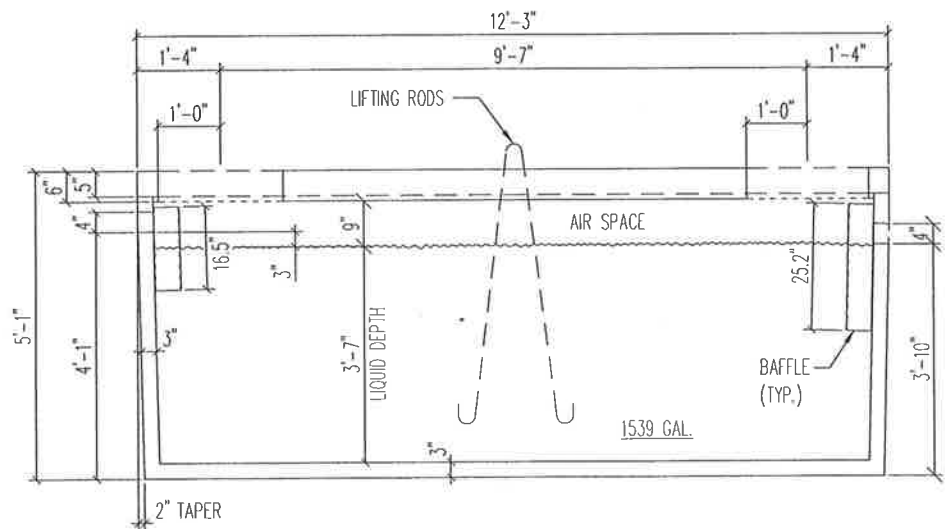


1500 GALLON TANK
 1/2" = 1'-0"



SECTION
 1/2" = 1'-0"

- NOTE:**
1. PROVIDE MINIMUM 1" CLEAR BETWEEN TOP OF BAFFLE AND UNDERSIDE OF LID.
 2. PUMP TANK (PT) HAS NO OUTLET BAFFLE.

1500 GALLON SEPTIC OR PUMP TANK
 (1500 ST OR 1500 PT)



WEIGHT=13,000#
 MAX. SOIL COVER= 7'-0"