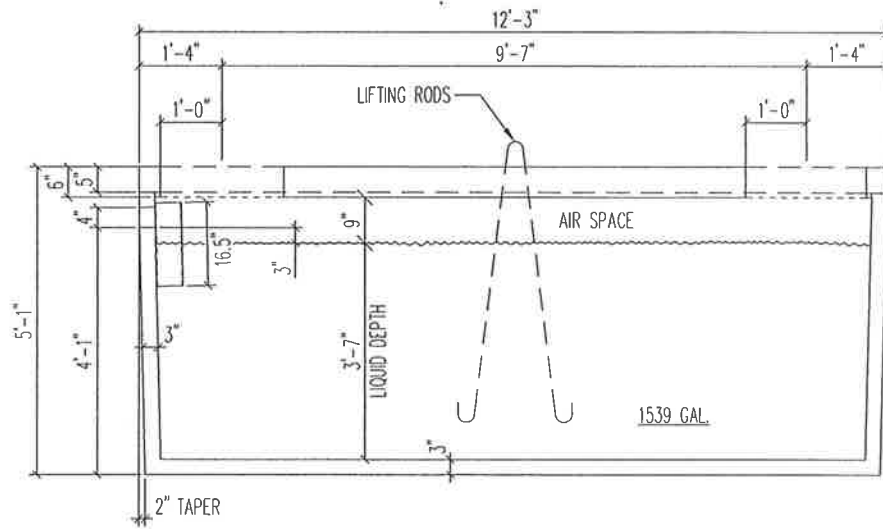


**1500 GALLON TANK**  
 1/2" = 1'-0"



**SECTION**  
 1/2" = 1'-0"

**NOTE:**  
 1. PROVIDE MINIMUM 1" CLEAR BETWEEN TOP OF BAFFLE AND UNDERSIDE OF LID.

1500 GALLON SEPTIC TANK  
 (1500 HT)



WEIGHT=13,000#  
 MAX. SOIL COVER= 7'-0"