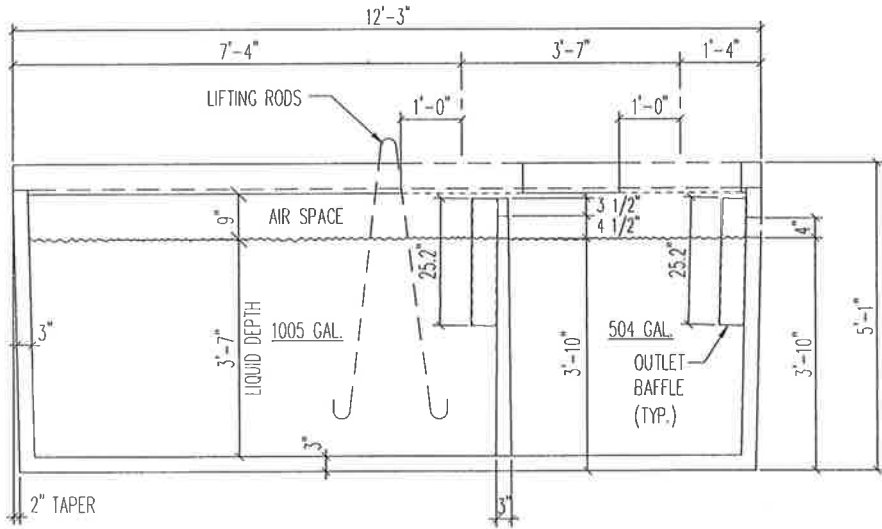


**1500 GALLON 2 COMP. TANK**  
 $1/2" = 1'-0"$



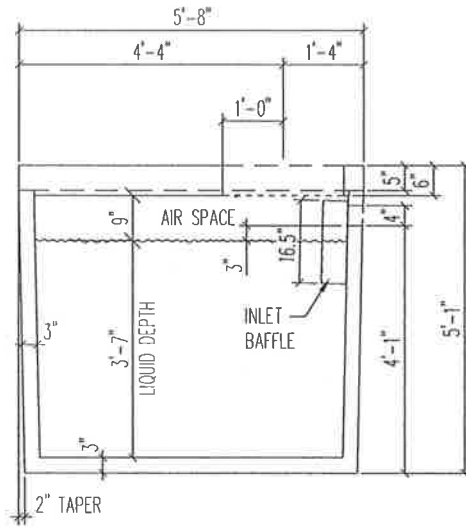
**SECTION A-A**  
 $1/2" = 1'-0"$

**NOTE:**  
 1. PROVIDE MINIMUM 1" CLEAR BETWEEN TOP OF BAFFLE AND UNDERSIDE OF LID.

1500 GALLON 2 COMP. SEPTIC TANK  
 (1500-2C-R)



WEIGHT=13,600#  
 MAX. SOIL COVER= 7'-0"  
 TOTAL LIQUID VOLUME= 1509 GAL.



**SECTION**

1/2" = 1'-0"

**NOTE:**

1. PROVIDE MINIMUM 1" CLEAR BETWEEN TOP OF BAFFLE AND UNDERSIDE OF LID.

1500 GALLON 2 COMP. SEPTIC TANK  
(1500-2C-R)

**Brown** Wilbert

WEIGHT=13,600#  
MAX. SOIL COVER= 7'-0"  
TOTAL LIQUID VOLUME= 1509 GAL.