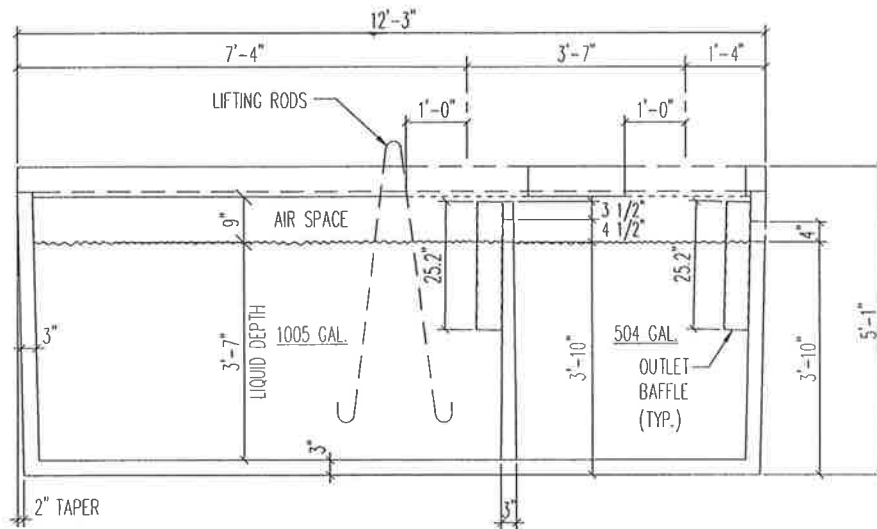


1500 GALLON 2 COMP. TANK
 1/2" = 1'-0"



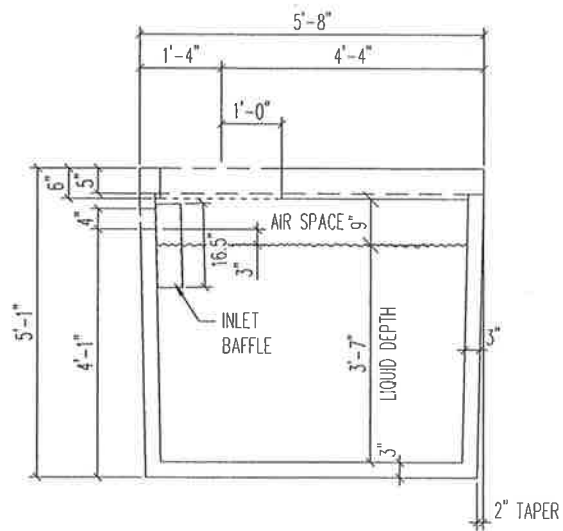
SECTION
 1/2" = 1'-0"

NOTE:
 1. PROVIDE MINIMUM 1" CLEAR BETWEEN TOP OF BAFFLE AND UNDERSIDE OF LID.

1500 GALLON 2 COMP. SEPTIC TANK
 (1500-2C-L)

Brown Wilbert

WEIGHT=13,600#
 MAX. SOIL COVER=7'-0"
 TOTAL LIQUID VOLUME= 1509 GAL.



SECTION

1/2" = 1'-0"

NOTE:

1. PROVIDE MINIMUM 1" CLEAR BETWEEN TOP OF BAFFLE AND UNDERSIDE OF LID.

1500 GALLON 2 COMP. SEPTIC TANK
(1500-2C-L)

Brown Wilbert

WEIGHT=13,600#
MAX. SOIL COVER= 7'-0"
TOTAL LIQUID VOLUME= 1509 GAL.