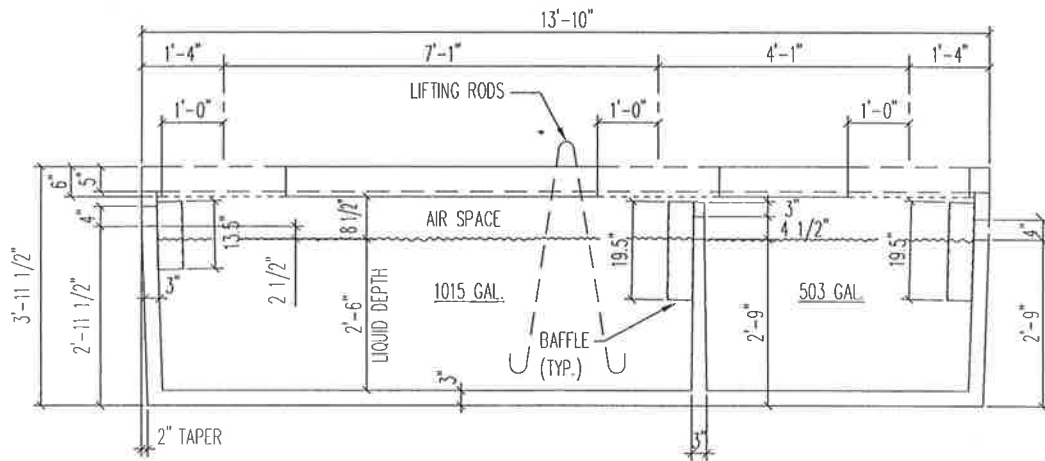


1500 GALLON 2 COMP. LOW PROFILE TANK
 1/2" = 1'-0"



SECTION A-A
 1/2" = 1'-0"

NOTE:
 1. PROVIDE MINIMUM 1" CLEAR BETWEEN TOP OF BAFFLE AND UNDERSIDE OF LID.

1500 GALLON 2 COMP.
 LOW PROFILE SEPTIC TANK
 (1500 LP 2C)

Brown Wilbert

WEIGHT=14,900#
 MAX. SOIL COVER= 7'-0"
 TOTAL LIQUID VOLUME= 1518 GAL.