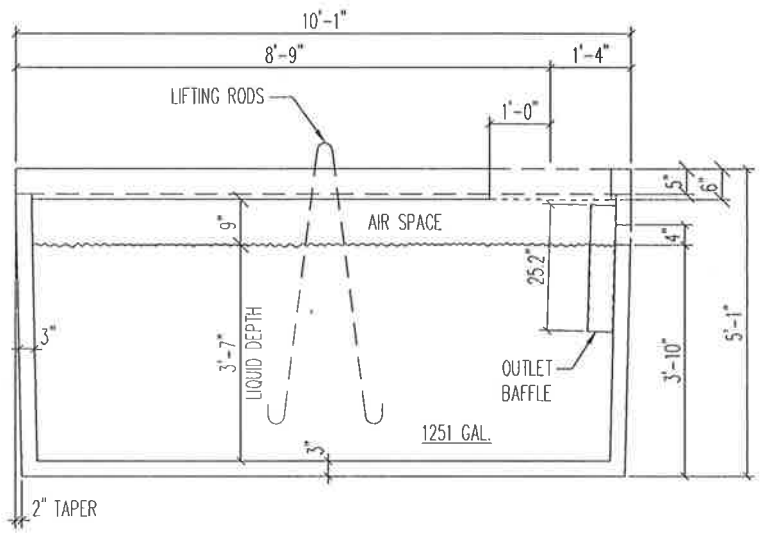


**1250 GALLON TANK**  
 1/2" = 1'-0"



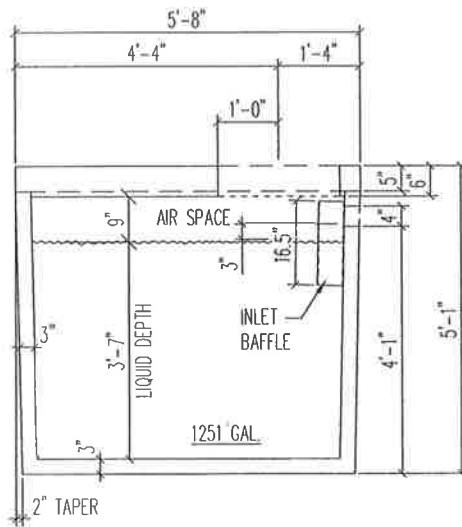
**SECTION**  
 1/2" = 1'-0"

- NOTE:**
1. PROVIDE MINIMUM 1" CLEAR BETWEEN TOP OF BAFFLE AND UNDERSIDE OF LID.
  2. PUMP TANK (PT) HAS NO OUTLET BAFFLE.

1250 GALLON SEPTIC OR PUMP TANK  
 (1250 ST-R OR 1250 PT-R)



WEIGHT=10,800#  
 MAX. SOIL COVER= 7'-0"



B  
B
SECTION
1/2" = 1'-0"

**NOTE:**

1. PROVIDE MINIMUM 1" CLEAR BETWEEN TOP OF BAFFLE AND UNDERSIDE OF LID.
2. PUMP TANK (PT) HAS NO OUTLET BAFFLE.

1250 GALLON SEPTIC OR PUMP TANK  
(1250 ST-R OR 1250 PT-R)

Brown Wilbert

WEIGHT=10,800#  
MAX. SOIL COVER= 7'-0"